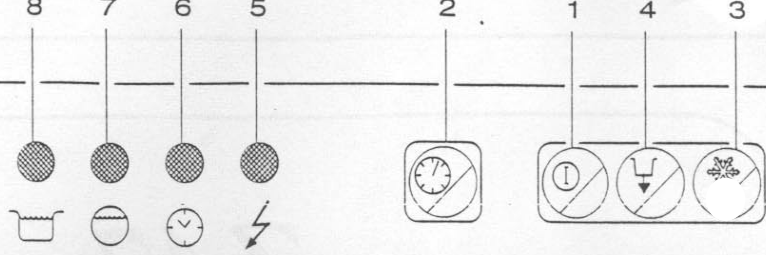
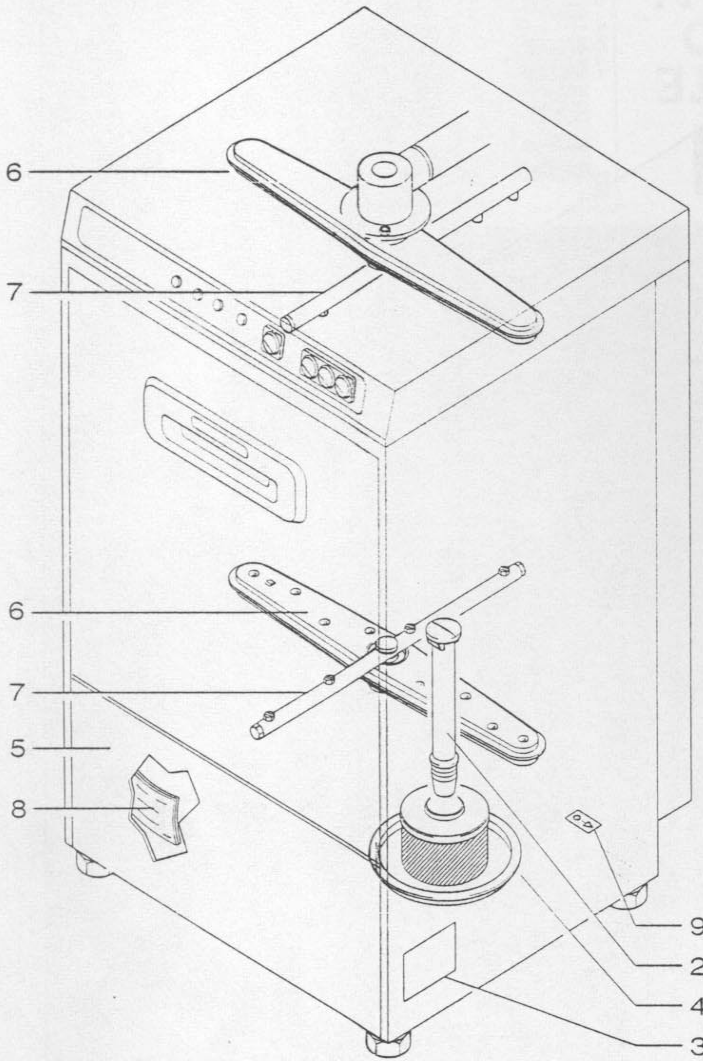


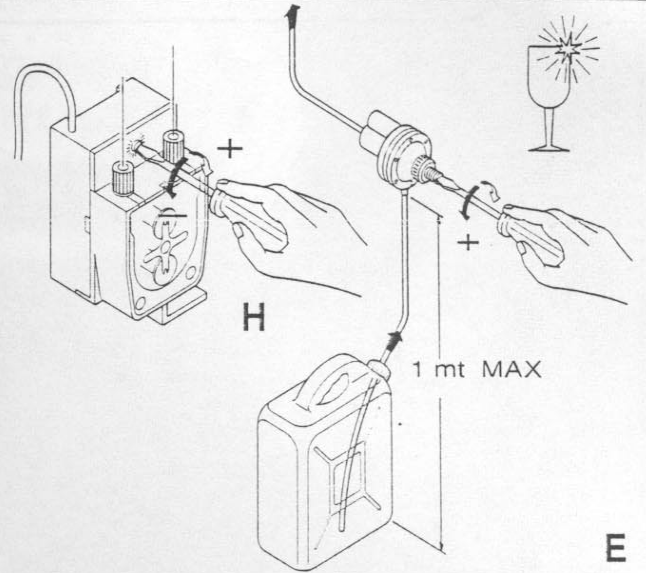
Z47



A



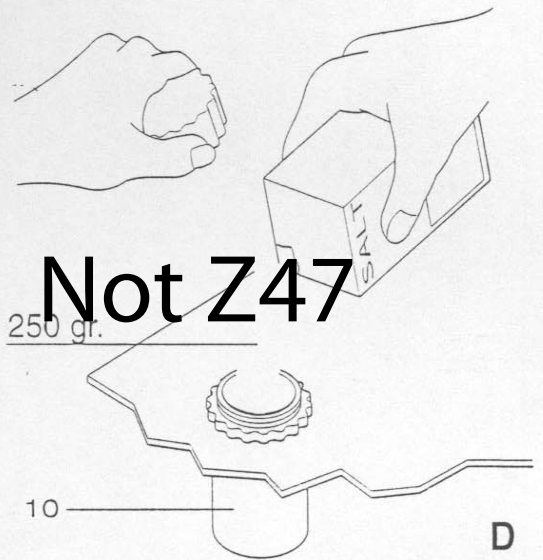
C



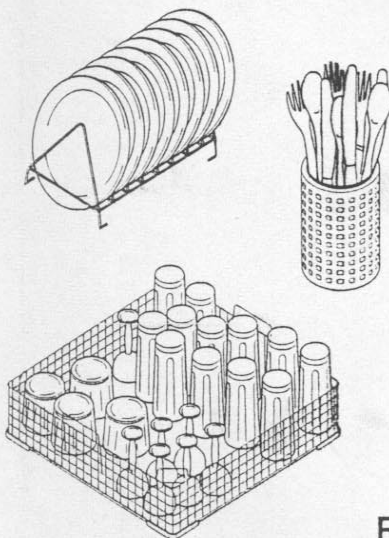
E

Not Z47

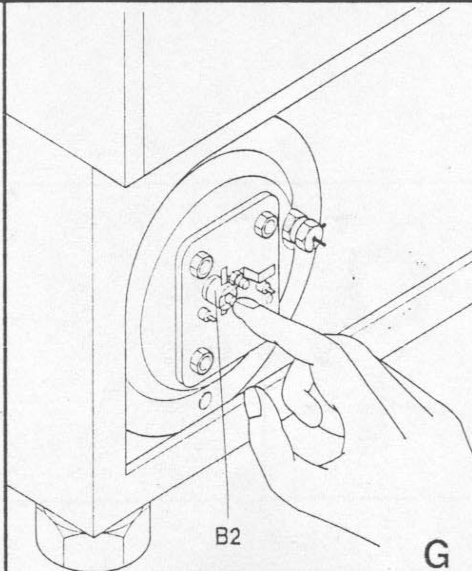
250 gr.



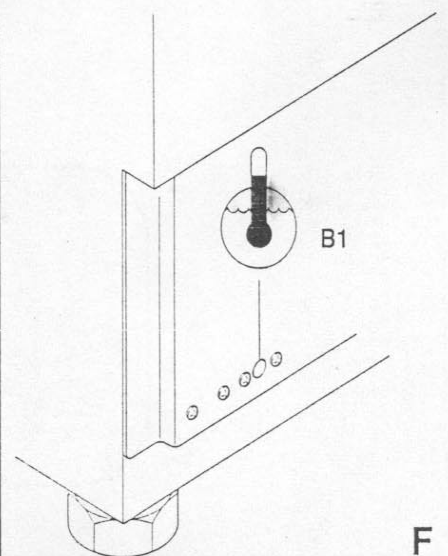
D



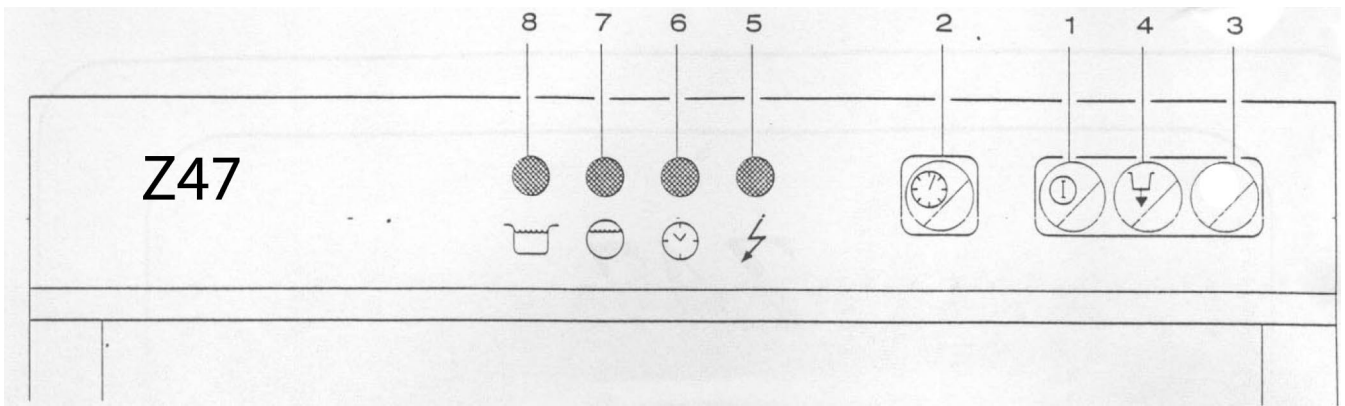
B



G



F



- 1) On/Off
- 2) Start Cycle push button
- 3) Not Z40
- 4) Drain push button (optional)
- 5) Power lamp
- 6) Cycle lamp
- 7) Boiler heating lamp
- 8) Tank heating lamp

1. INTRODUCTION

Carefully read the instructions contained in this booklet: they provide important information regarding operating safety and cleaning. Store the booklet properly.

This appliance is designed only for the function for which it is specifically conceived: to wash, glasses, cups, desert plates and similar objects as well as the basket that carries them. Any other use should be considered as improper and dangerous.

The appliance must only be used by persons that are properly trained to use it.

A few basic rules must be observed when using the appliance:

- The appliance must never be removed from its original installation site.
- Make sure the water supply gate valve is open before starting the appliance.
- Never clean with corrosive products, acids, steel wool or steel brushes.
- Never wash the appliance with direct or high pressure jets of water.
- Every day, at the end of the work cycle, turn the appliance off using the main switch installed upstream from the appliance.
- Never leave the machine in any environment where the temperature is near or lower than 0°C.
- The machine noise level recorded at 1.6 m away and at 1 m in height is less than 70 dB (A).

The manufacturer waives all liability for any injury to persons or damage to property caused by:

- disregard of these instructions
- maintenance, adjustment or repairs not performed by professionally qualified personnel.
- modifications, fitted devices or dispensers which somehow could alter the original operation of the appliance.

After turning off the electric current with the wall switch, only qualified personnel can remove the panels.

2. PREPARATION OF THE MACHINE

Open the water tap and turn on the main switch upstream from the machine. Close the door and push the button (A-1) to position "I". The indicator lamp (A-5) will light up.

The machine will automatically fill up with water and at the same time the boiler heating element will switch on and the heating element indicator light (A-7) will also come on. When the proper water temperature is reached, the boiler heating element and the pertinent indicator light are switched off and the tank heating element is switched on. The indicator lamp (A-8) will light up.

After some minutes both indicator lights are switched off and the machine is ready for use. By pressing the START button (A-2) the washing cycle starts and the indicator light (A-6) will switch on

3. REGULATIONS AND CHECKS

3.1 Operating temperatures

The water supply should be at a temperature between 10°C and 50° C. The temperature of the water in the wash tank is regulated by a thermostat fixed at about 55°C. This temperature ensures the proper action of the chemicals contained in industrial dishwashing detergents. The boiler temperature, set by a thermostat, is between 70° and 85°C.

The machine is fitted with a device that ensures the correct rinsing temperature. If the temperature of the water supply is below that indicated in the technical data (C-8), the machine will pause during short washing cycles until the correct rinsing temperature is reached.

3.2 Rinsing agent dispenser

3.2.1 Pressure dispenser

During the rinsing stage, the rinsing agent dispenser (E) will be activated to inject the rinsing agent into the boiler.

Before starting the cycle, the dispenser and the associated supply tube must be filled. To this effect make sure that the cup of the rinsing agent container is full of liquid.

To fill the supply plastic tube with rinsing agent, during the filling-up with water, turn the push button (A-1) "ON/OFF" several times until the tube is full.

3.2.2 Peristaltic dispenser

During washing, the rinse aid dispenser (H) is enabled to inject the rinse aid in the boiler.

The rinse aid dispenser and its feed tube must be filled before using the machine. To do this, make sure that the rinse aid tank is full.

To fill the plastic rinse aid feed tube only: make the machine perform an empty washing cycle. Open and close the door several times during the washing cycle until the tube is full. Refer to an expert technician to calibrate.

If adjustment is needed, seek the assistance of a qualified technician.

An excessive amount of the rinsing agent causes bluish stripes on the dishes and creates foam in the wash tank.

If the dishes are covered with droplets of water and dry rather slowly, this means that the amount of rinsing agent is insufficient or that the dishes are covered with starch. In this case soak the dishes for some minutes (1:10) before placing them in the machine.

3.3 Checks

Before starting to use the machine, the following checks should be made:

- 1) Check the water level and its temperature
- 2) Check the rinsing agent level
- 3) Check the washing detergent level
- 4) Check the temperature of the water supply
- 5) Check the washing agents (supply tube filled, tank holes are not clogged).

- When filling the wash tank the first time, the water must stop entering when its level is 1 cm. from the top level of the overflow plug filter (C-2).
- Water must be distributed, at high pressure, from all the sprayers. The rotary wash and rinsing arms must be free to rotate due to the pressure of the water.
- The washing and rinsing water temperatures must correspond to the temperatures indicated in paragraph 3.1 "Operating temperatures".
- With every wash cycle the dispensers must draw the proper amount of rinsing agent and detergent. Check the level of the liquids in the containers and, if necessary, replace them or top them up.
- The pump filter (C-4) must be clean.

When the wash cycle is terminated, the perfectly clean dishes must dry almost instantly by evaporation the moment the basket is removed from the appliance.

4. OPERATION

4.1 Instructions for use

Place the basket in the tank, close the door.

For the model without automatic detergent dosing device, pour the recommended dose of industrial no-foam detergent into the tank.

If using powdered detergent, we recommend pouring this evenly into the tank to avoid lumps. Stir the water with a tool. The powder must be an industrial no-foam powder.

Press the "START" button (A-2). Wash cycle indicator light (A-6) comes on and the appliance performs a full wash cycle.

When indicator light (A-6) goes off, the wash cycle is terminated. Remove the basket from the appliance and expose it to the air to dry for a few seconds.

If it is necessary to open the door when the machine is running, **DON'T OPEN IT TOO QUICKLY**, because a spray of water could hit the operator if the door is opened too quickly, even though the appliance is equipped with a safety switch against accidental opening.

4.2 Washing tips

Never put your bare hands into the washing water. If this should happen, rinse immediately and thoroughly with cold water.

Place cups and glasses upside down in the baskets. The machine is equipped with different types of basket, specially designed for stocking, that can be stacked. Place the dessert plates in the special basket with supports, making sure that the plate face upwards (B). Place cutlery and coffee spoons with their handles facing down (B).

Never place silverware and stainless steel cutlery in the same basket. This could cause the silver to burnish and the stainless steel to corrode.

When possible, rinse glassware before placing in the machine or wash with fresh water.

To save on detergent and electricity only wash when the baskets are full, but do not overload them. Do not stack the dishes.

WE RECOMMEND PRE-CLEANING the dishes in order to minimise machine maintenance. The quality of final wash results will be greatly improved by first removing paper, food particles, lemon peels, toothpicks, olive pits, etc. which could partially clog the tank filter and impair washing efficiency.

We recommend washing the dishes before food particles dry on their surface. It is good practice, when dried food scraps are involved, to first soak the dishes in soapy water before introducing them into the machine.

4.3 Cold rinse

(for machine equipped with this accessories)

To drop down the glasses temperature press the cold rinse push button (A-4) for few seconds. Use this function after the wash cycle only and don't abuse of it to preserve the washing tank water at right temperature.

4.3 Drain pump (optional)

Leave the line button (A-1) on position "I". Take the overflow pipe of from the drain hole. Leave the door open.

Push the drain pump button (A-16) and keep it pushed until the tank is completely empty. Release the drain pump button and switch the machine off pushing on the line button (A-1) on position "0".

If the current is not switched off using the line button, when closing the hood, the tank will start filling again automatically.

4.4 Regeneration Not Z47

(only for appliances equipped with this accessories)

Let the machine drain completely removing the overflow (C-2). Press the main button (A-1) on "0" position. Remove the wash pump filter and pour 250 gr of coarse kitchen salt in the salt container (D-10). Press start cycle button (A-2) for a few seconds until cycle indicator light (A-6) will remain lit. After 20 minutes indicator light (A-6) goes off indicating the regeneration cycle has been completed.

It is recommended that regeneration be performed during the rest periods according to the following schedule:

dH	F	Cicli
6	10	150
6.5	11	138
7	12	126
7.5	13	114
8	14	102
8.5	15	90
9	16	77
9.5	17	74
10	18	71
10.5	19	68
11	20	65

12	21	62
12.5	22	59
13	23	56
13.5	24	53
14	25	50
14.5	26	47
15	27	44
15.5	28	41
16	29	38
17	30	35
17.5	31	32
18	32	29
18.5	33	26
19	34	23
19.5	35	20

5. MAINTENANCE

5.1 Routine maintenance

The machine **MUST BE** cleaned inside at least twice a day or whenever there are solid particles in the wash pump filter (C-2).

Drain the water by unplugging the overflow (C-2).

For machine equipped with drain pump: remove the overflow; press push button (A-4) until the tank is completely empty; push main switch button (A-1) on "0" position.

When the machine is completely empty, remove pump filter (C-4) and clean it. Clean the tank and remove any small residues and solid particles.

Make sure that the rotary wash arms (C-6) are free to rotate. If the nozzle holes are clogged by solid particles, remove them carefully with a fine tipped tool.

Put all the removed parts back in their place in reverse order. Leave the appliance door open for the entire period.

To avoid oxidation or chemical attack hazards in general, the steel surfaces of the appliance must be kept thoroughly clean.

NEVER USE THE MACHINE WITHOUT THE PUMP PROTECTION FILTER.

5.2 Periodic Maintenance (to be done at least every 2-3 days)

NOTE: Do not wash the appliance with high pressure or direct jets of water since water could penetrate into electrical devices and prejudice the efficient operation of the appliance and its safety systems. Inobservance of this instruction will invalidate the guarantee.

- Drain the water completely from the appliance as described at 5.1.
- Turn the appliance off by pushing the line button on position "O".

- Turn off the electric power supply by disconnecting the main switch installed upstream from the appliance.
- Remove the filter pump (C-4) and clean.
- Dismantle the upper and lower rinsing arms (C-7) by unscrewing their central fastening ring nut.
- Check and clean all the sprayers.
- Dismantle the upper and lower wash arms (C-6) by removing them from the rotary pivots.
- Check and clean all the jets.
- Thoroughly clean the tank.
- Replace all the parts that were removed, proceeding in the reverse order.
- Leave the appliance door open for the entire period that the appliance is at rest.
- Clean the outer surfaces of the appliance with soap and water. Rinse these surfaces and dry them with care.

NOTE: Never clean stainless steel with steel shavings, wool or brushes.

Lime deposits and scale will build up on the inner surfaces of the boiler tank, the pipelines and tank due to calcium and magnesium salts present in the water. These scales and deposits can prejudice proper appliance operation.

The appliance must be periodically descaled and we recommend that this be done by an expert.

If the machine fails to operate correctly or breaks down, disconnect from the electricity mains and call a qualified service centre.

5.3 Machine idle

Whenever the appliance will be inactive for a long period of time, follow these steps for hygiene purposes:

- fill the machine with water (no detergent)
- make a few wash cycles without any dishes
- drain the machine completely.

Repeat these steps until the drained water is clean and free of any residues of dirt or detergent.

Grease steel surfaces with vaseline oil if the machine will be inactive for long periods. Have an expert drain all the water out from the boiler and the internal circuits to avoid the danger of ice formation.

5.4 Sterilization

At least once a week, sterilize the machine by using specific disinfectants, finishing with repeated rinsing for several minutes (fill the tank without the overflow).

NB: After turning off the electric current, only qualified personnel can remove the panels.

1. INTRODUCTION

This appliance is equipped with following technical documents:

- "INSTALLATION AND USE" manual (you are reading this now)
- technical sheet (C-8)
- wiring diagram (C-8)
- electrical components position map (C-8)
- Declaration of Conformity to EC Directive

The instructions contained in this manual provide important information regarding safety for installing, operating and maintaining the appliance. The manufacturer recommends that this manual be carefully stored in the wash area where it can be consulted by technicians and operators.

Installation must be carried out according to the manufacturer's instructions and by professionally qualified and expert persons.

This appliance must be connected to supply mains through a main switch only.

Never leave packaging (plastic bags, polystyrene, nails, etc.) within reach of children since it can be dangerous.

Install the electrical, water and drain lines in the wash area according to the instructions given in the technical sheet of the machine placed behind the front panel (C-8).

2. INSTALLATION OF THE APPLIANCE

Carry the machine to the installation site and remove its packaging materials.

Check that the appliance is in perfect condition. If it shows signs of damage, immediately inform the seller and the shipper of this damage. If there is any doubt do not use the appliance until it has been checked by authorised personnel.

Put the machine in position, being careful to level it perfectly by rotating the adjustable feet.

To prevent damage caused by steam coming out of the appliance during normal operation, make sure that any nearby material will not deteriorate if it comes into contact with the same.

Before connecting the machine to the water and electric mains, make sure the general characteristics and data, furnished by the manufacturer on the nameplate (C-3) and the technical sheet (C-8), have been taken into due consideration when preparing the installation site.

Repairs must be done exclusively with original spare parts. Only these, in fact, can guarantee perfect conformity of our machines with design data.

Repairs not carried out by qualified personnel and with non-original spare parts, will invalidate the guarantee.

3. PLUMBING CONNECTIONS

3.1 Water supply

Before connecting the appliance, make sure that there is a gate valve between it and the water mains

in order to be able to shut off the water supply when necessary or in case of repair.

Insert a non-return valve between the gate valve and the machine connection. This non-return valve must conform to European (en 50084) or National Standards and is not supplied with the machine. An installation kit exists which can be obtained from your local authorized dealer.

Minimum water supply pressure, measured at the machine water intake during final rinsing (flow pressure), must not be less than 1.5 Bar or more than 4 Bar, even when other taps are open on the same line.

To prevent pressure or load drops, we recommend that each machine should have its own supply pipeline, that is sufficiently short and of adequate size.

A booster rinse pump, available as an option, must be installed whenever the supply pressure is less than the minimum required pressure.

If the static pressure is higher than 4 Bar, then a pressure reducer must be installed upstream from the supply pipeline.

The supply pipeline to the machine must not have a flow rate that is less than 15 l/min.

Make sure that the supply water temperature is equal to the values given in technical sheet (C-8).

To obtain good washing results, we recommended that the hardness of the supply water be within 7 and 12°F.

If the hardness of the water is higher than 12°F and the machine has no built-in water softener, we recommend installing a water softener upstream from the fill-up solenoid valve, rated for 5-7°F residual hardness.

GOOD MACHINE OPERATION DEPENDS ENTIRELY ON COMPLIANCE WITH THESE VALUES.

Use a flexible hose to connect the fill-up solenoid valve to the supply tap.

Respect all current National or Regional regulations.

3.2 Draining

The drain pipe must be connected to a well or to an air-trap made in the floor. Make sure that the drain pipelines in the wash area are not choked and that they afford a quick water outflow.

The wall drain pipe must withstand a minimum temperature of 70°C. This appliance has a gravity drain, therefore the outlet of dishwasher should be lower than the tank inlet.

4. ELECTRICAL CONNECTIONS

AN EFFICIENT EARTHING SYSTEM GUARANTEES THE SAFETY OF THE APPLIANCE AND ITS OPERATOR.

This is an essential requirement that must be checked and, if in doubt, have the entire electric system checked by the professionally qualified

personnel who made the connections to the electric mains.

THE MANUFACTURER WAIVES ALL RESPONSIBILITY FOR ANY DAMAGE CAUSED BY LACK OF AN ADEQUATE EARTHING SYSTEM FOR THE APPLIANCE.

It is strictly forbidden to use plug adapters, multiplication plugs and extension cords.

Check that the electric power supply complies with technical specifications (C-3).

The machine must be connected to an equipotential system, in accordance with local regulations. Connect using the screw with the



... marking, placed on the back base of the machine (C-9).

Details regarding the boiler's heating element and power circuit can be found in the relative diagram (C-8).

Connection to electric mains must be done using a multipolar magnetothermic differential switch rated with a contact gap equal to or greater than 3 mm.

When selecting the type and size of the power cable, bear in mind the distance between the machine and the power point, the installed power indicated on the ratings plate (C-3) and the mains voltage. The cross section of the cables must not be less than 2.5 mm².

Avoid any strain on the power cable.

Use a H07RN-F cable if the power cable needs to be replaced connecting it to the terminal box placed on the back of the machine.

Check the safety thermostat of the boiler, by pressing the manual reset button (fig. G) on the heating element cover.

After testing the appliance, calibrate the boiler thermostat at 85°C.

5. ADJUSTMENT OF DISPENSERS

5.1 Rinsing agent dispenser

5.1.1 Pressure dispenser

Turn off the electric current from the wall switch and remove the front panel.

Then turn the dispenser adjustment screw (Fig. E). Turning it clockwise or counter-clockwise will respectively decrease or increase the amount of rinsing agent it delivers.

Perfect doses can be achieved by rotating the adjustment screw more or less 1/4th of a turn.

Remember that one turn of the adjustment screw corresponds to about 0.2 g. of rinsing agent; the dispenser gives 2 g of rinsing agent at full load.

5.1.2 Peristaltic dispenser

Switch off at the mains and remove the front panel. Then use the adjustment screw on the dispenser (Fig. H), turning this clockwise or anti-clockwise to increase or decrease the amount delivered.

Dosage time: from 1 to 25 sec.

Replacing the internal tube:

1. remove the transparent snap-shut protection cover;
2. *to remove*: move the roller case so that the two rollers are vertical;
3. remove the coupling on the left of the pump from its seat by pulling the tube upwards and for its full length, then turn the roller case clockwise until the coupling on the right of the pump can be extracted;
4. *to mount*: move the roller case so that the two rollers are horizontal;
5. push down the coupling on the left of the pump, with the curved part facing the bottom;
6. press the tube into its seat, gradually along its full length, and then manually turn the roller case clockwise until also the right-hand coupling is inserted correctly.

Now return the transparent protection cover, by resting it on the edge opposite to the couplings and gently pushing down around the edge until it snaps shut.

0.2 g of rinsing agent corresponds to 2 cm of the transparent feed pipe (cross section 4 x 7 mm).

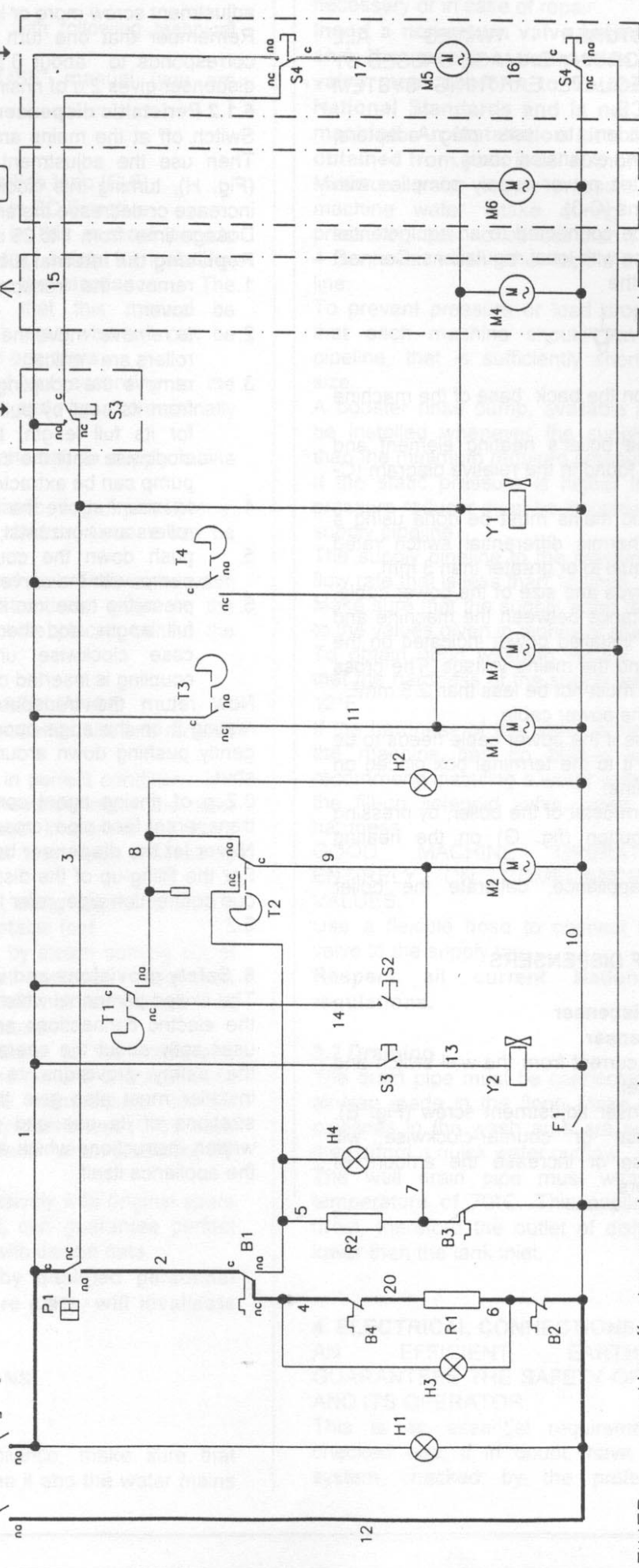
Never let the dispenser become empty.

For the filling-up of the dispenser and the dispenser-cup connection pipe, refer to section "Use" paragraph 3.2

6. Safety provisions and user training

The skilled personnel which make the installation and the electric connections are required to instruct the user aptly about the operation of the appliance and the safety provisions to be complied with. The installer must also give the user practical demonstrations of its use and must leave with him the written instructions which are furnished together with the appliance itself.

- 0-1 Main switch (charged to the customer)
- B1 Boiler thermostat
- B2-B4 Boiler safety thermostat
- B3 Tank thermostat
- F1 Door switch
- H1 Power lamp
- H2 Cycle lamp
- H3 Boiler heating lamp
- H4 Tank heating lamp
- M1 Wash pump motor
- M2 Cycle timer motor
- M4 Rinse booster pump motor
- M5 Drain pump motor
- M6 Detergent pump
- M7 Rinse agent dispenser
- P1 Tank level control
- R1 Boiler heating element
- R2 Tank heating element
- S1 Line switch
- S2 Start cycle
- S3 Cold rinse push button
- S4 Drain push button
- T1 Self-supply microswitch
- T2 Boiler control microswitch
- T3 Washing microswitch
- T4 Rinsing microswitch
- U Terminal board
- Y1 Rinse solenoid valve
- Y2 Cold rinse solenoid valve



machine off - door opened - tank empty

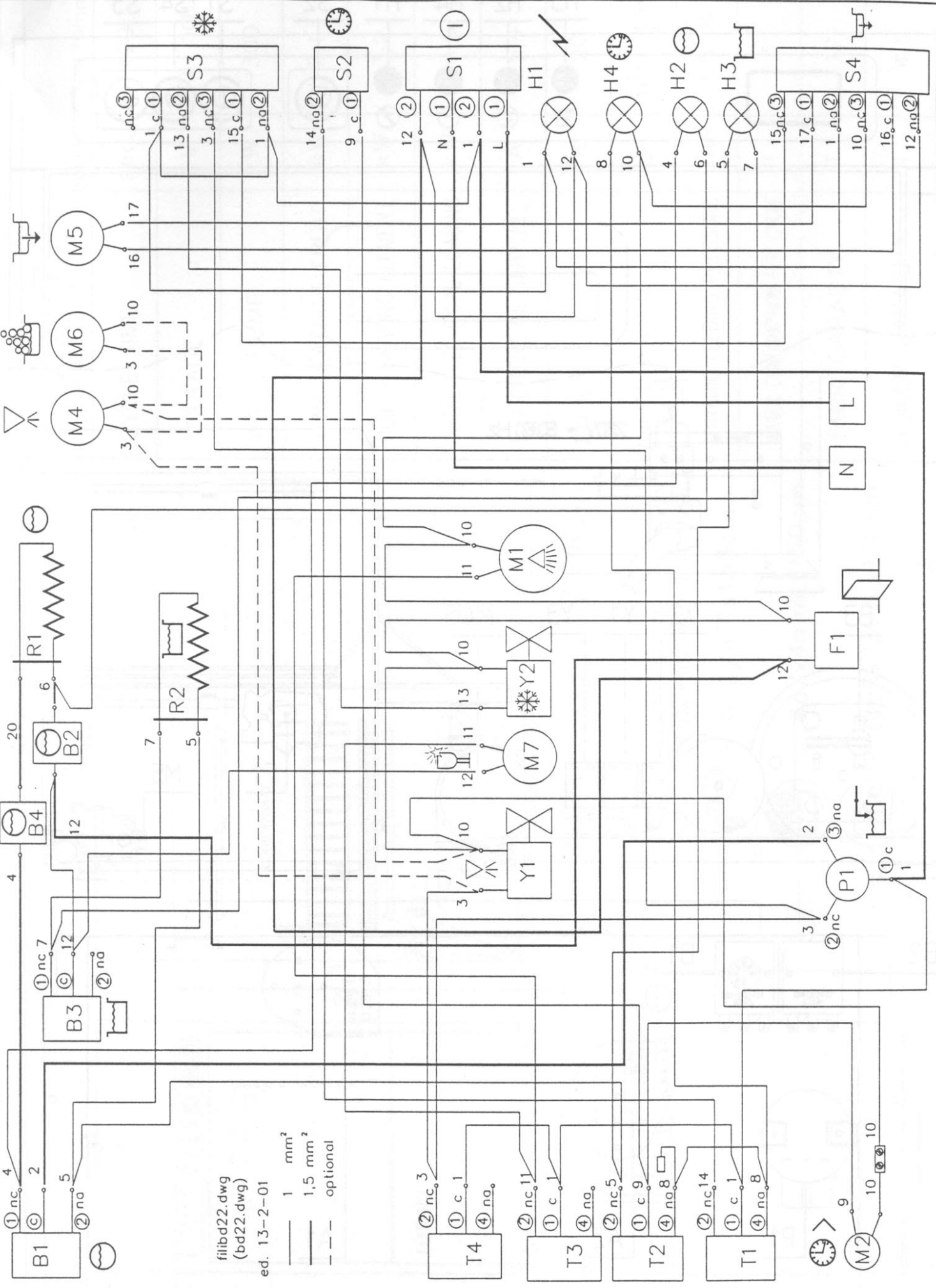
DATA DATE	DATUM DATE	9-07-01
CE		
SCHEMA ELETRICO - SCHEMA ELECTRIQUE WIRING DIAGRAMM - SCHALTPLAN		
SOSTIT. DIS REMPLACE SUPPS. DWG ERSETZT		
FILE FILE	FILE FILE	Z47.DWG

T1	120"
T2	92" 95"
T3	97"
T4	117"
	100"

TIMER

0,4"	1	mm ²
	1,5	mm ²

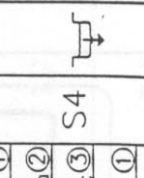
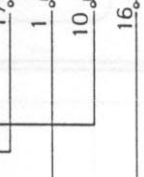
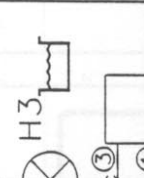
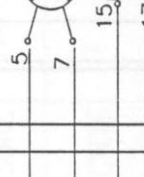
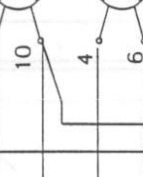
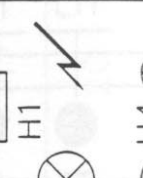
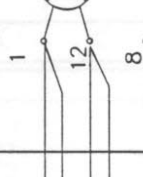
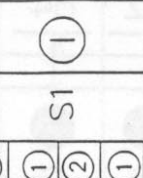
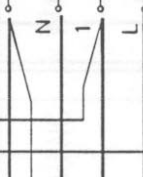
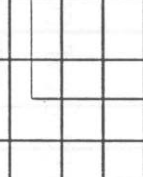
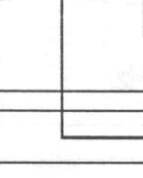
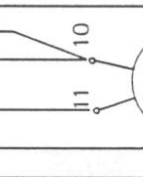
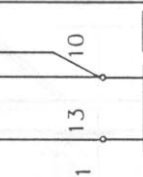
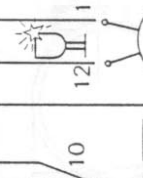
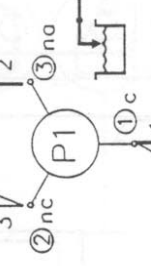
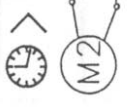
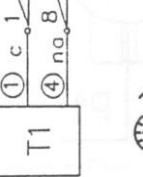
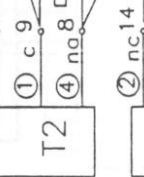
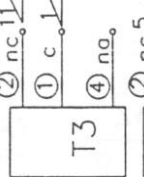
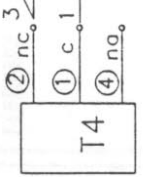
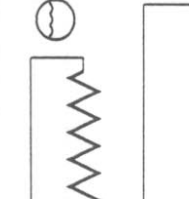
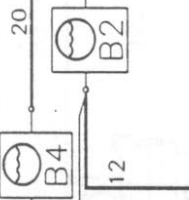
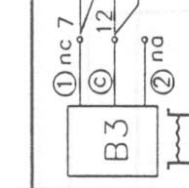
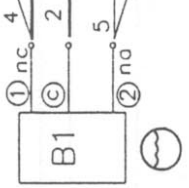
Z47

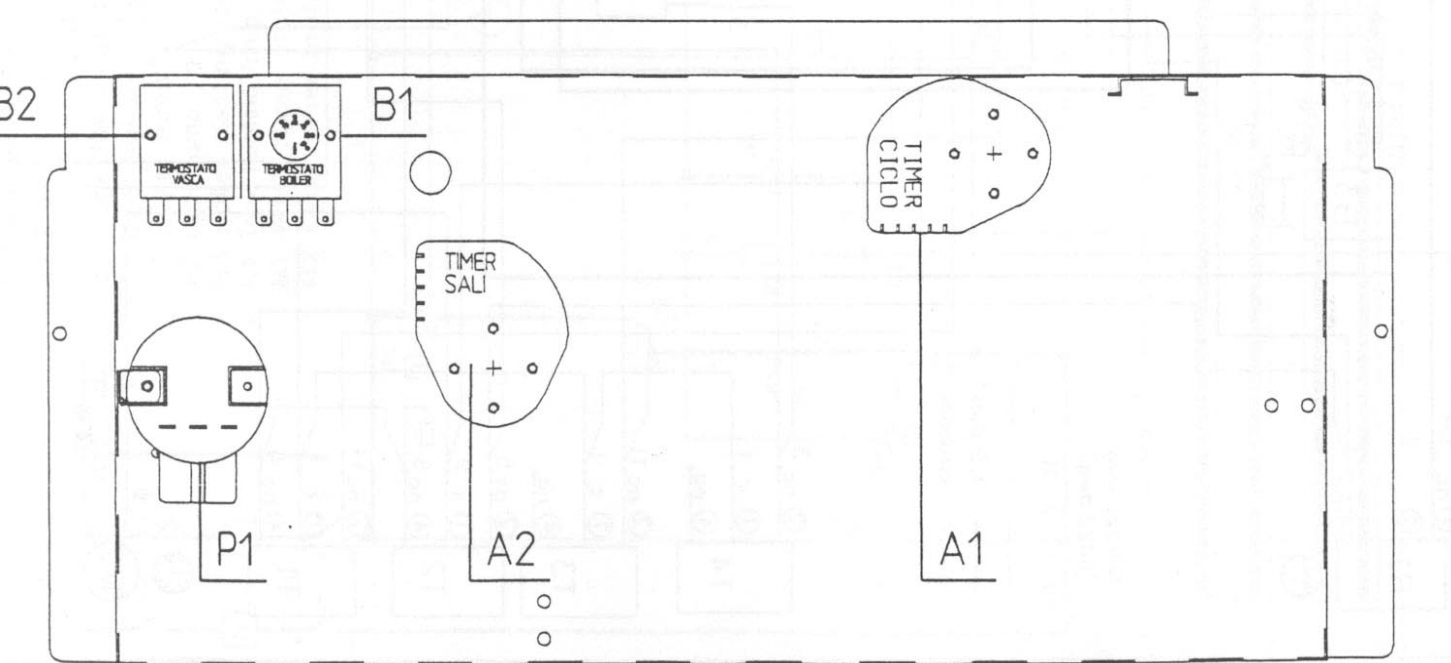
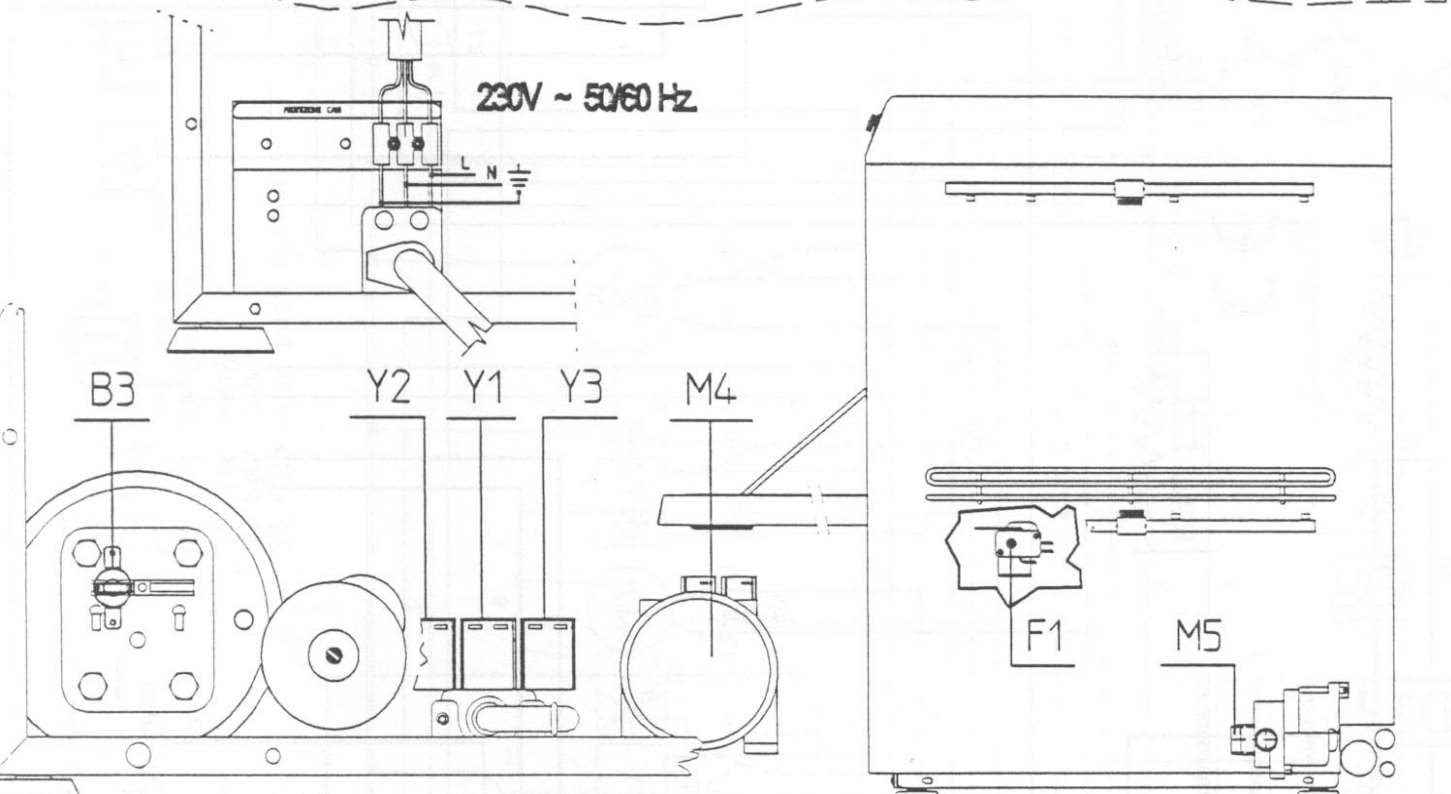
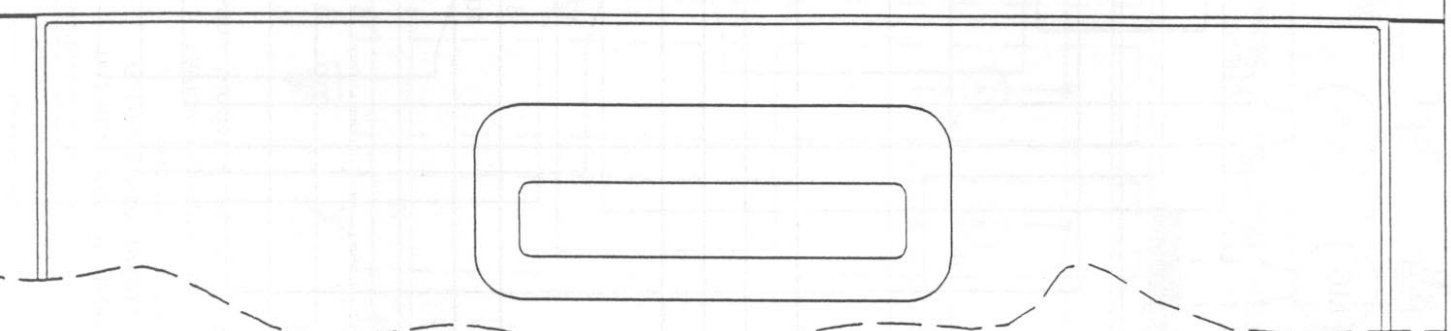
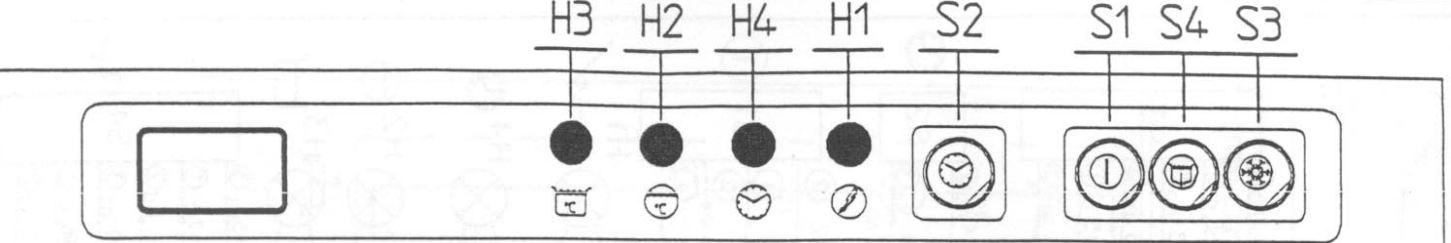


filibd22.dwg
(bd22.dwg)

ed. 13-2-01

- 1 mm²
- 1,5 mm²
- - - optional

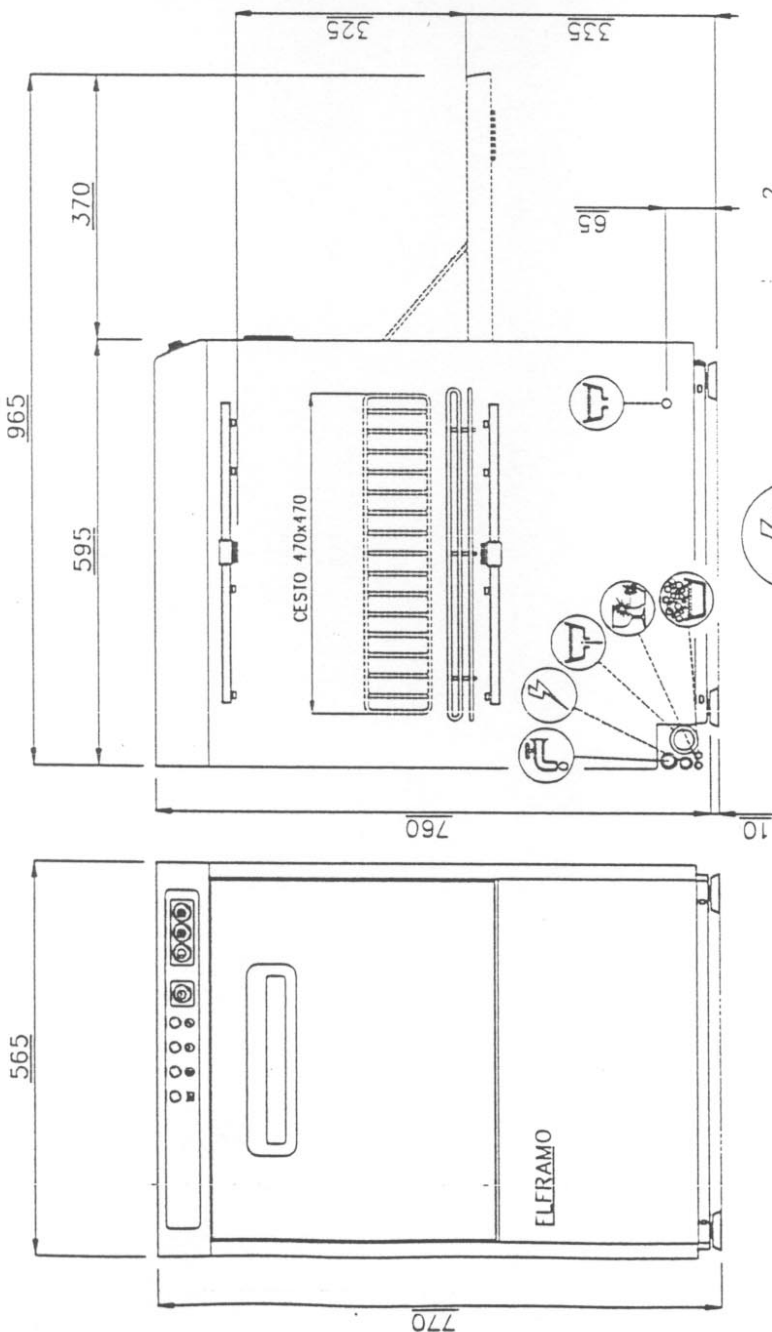




Z47

basket 470x470mm

CYCLE TIME	sec.	120
VOLTAGE	V	240~ 50HZ
WASH PUMP	W	300
TANK HEATING ELEMENT	kW	2,1
BOILER HEATING ELEMENT	kW	3,2
TOTAL ELECTRICAL LOADING	kW	3,5
ELECTRICAL INPUT	A	15,4
FUSE	A	20
INLET WATER	C°	10° - 50°
DYNAMIC FEEDING PRESSURE	BAR	1.5...4
WATER CONSUMPTION PER CYCLE	l	3
TANK CAPACITY	l	12
BOILER CAPACITY	l	4.5



-  = 3X2,5mm².x125cm.
-  = ϕ i 28mm.x113cm.
(ϕ int25mm. with drain pump)
-  = G 3/4" F x153cm.
-  = ϕ e7x4mm.x150cm.
-  = ϕ e6x4mm.x150cm.